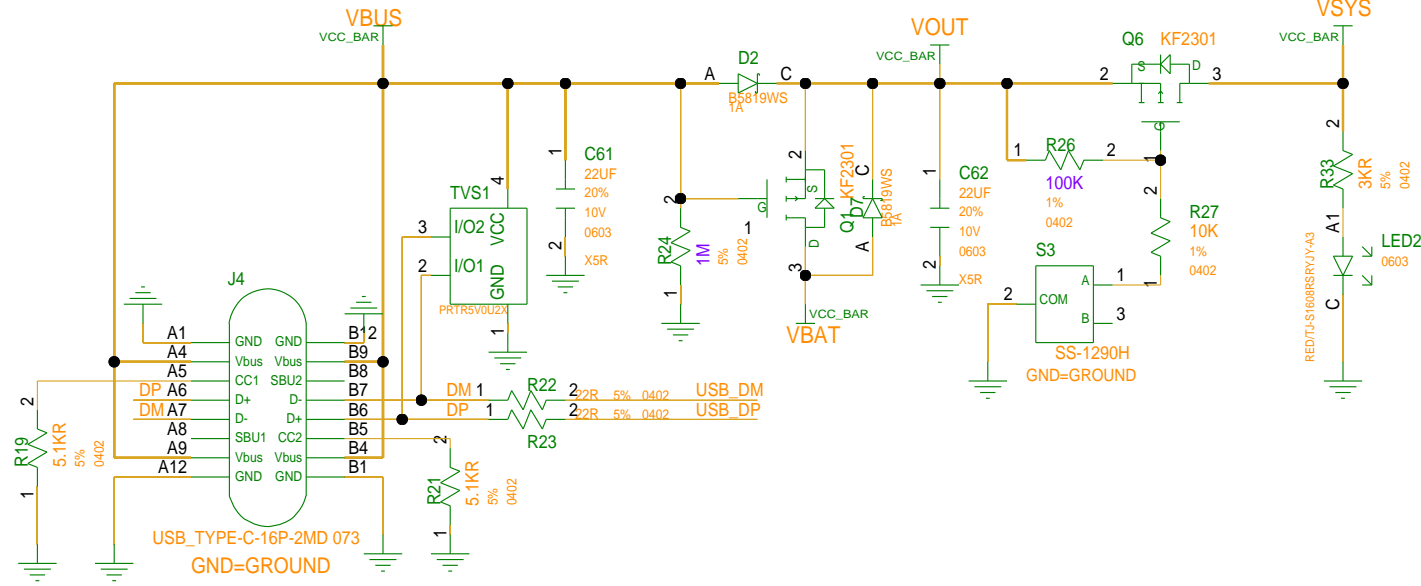
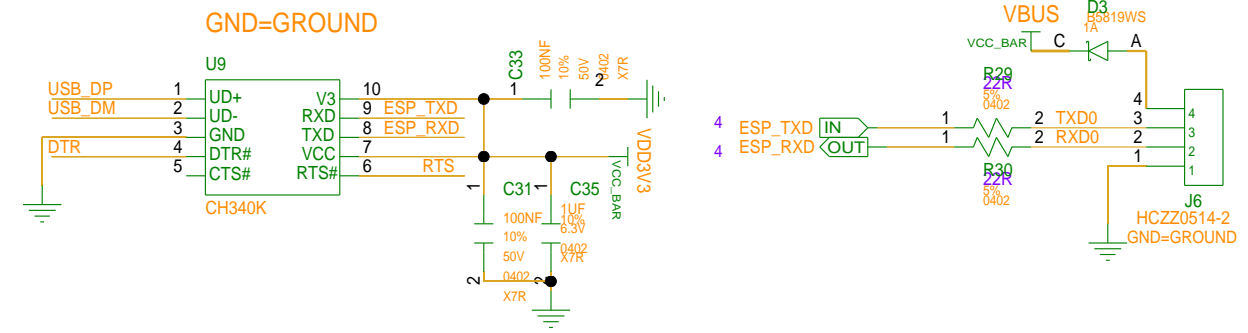




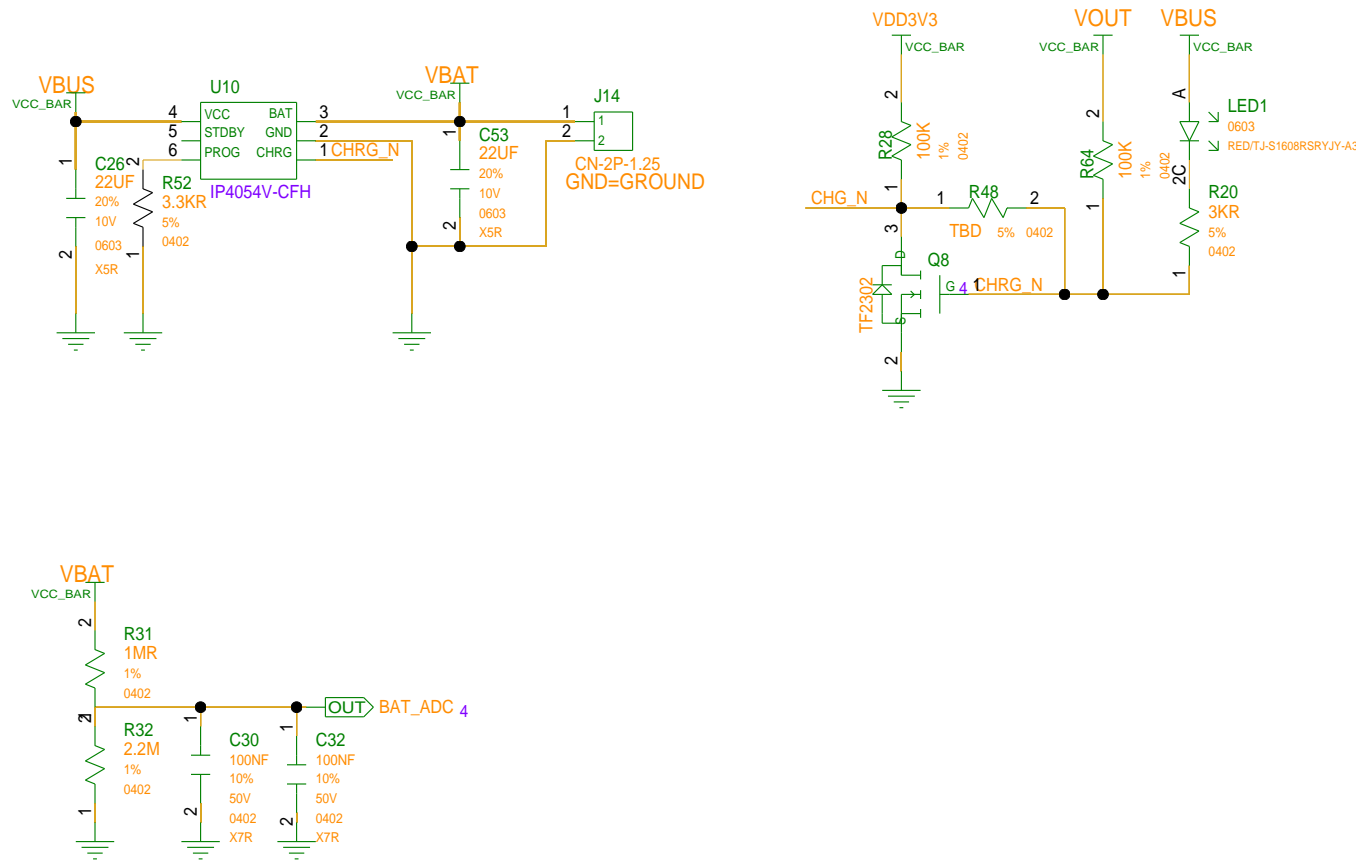
# POWER ON



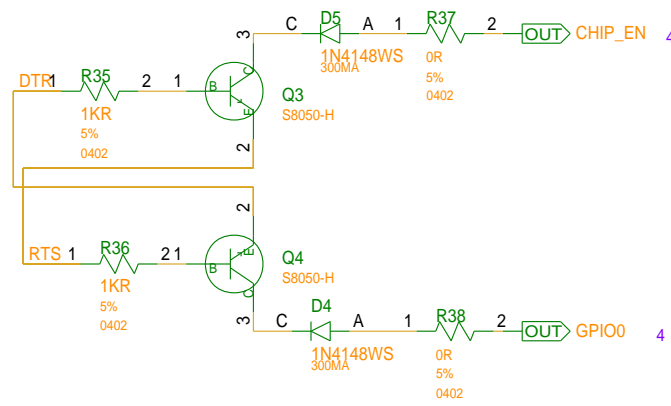
# USB TO TTL / UART INPUT



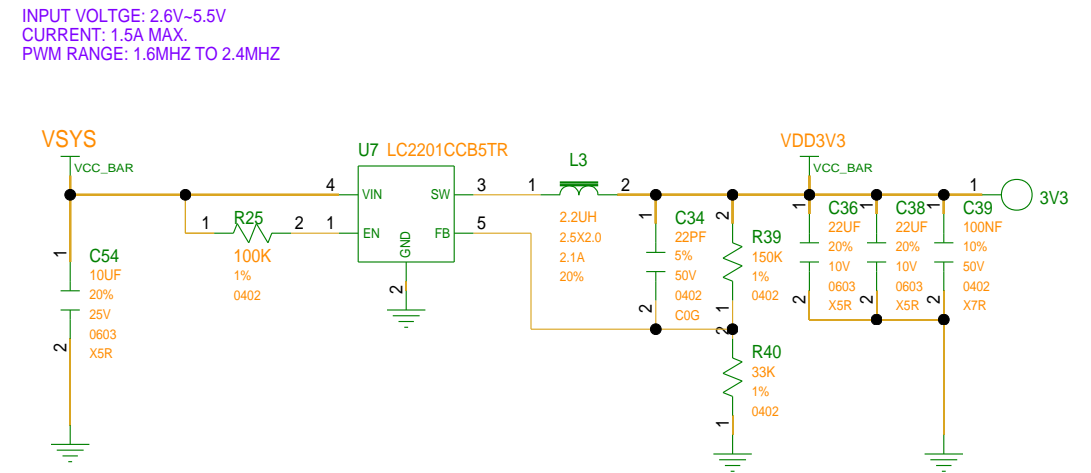
# BATTERY



# AUTO PROGRAM

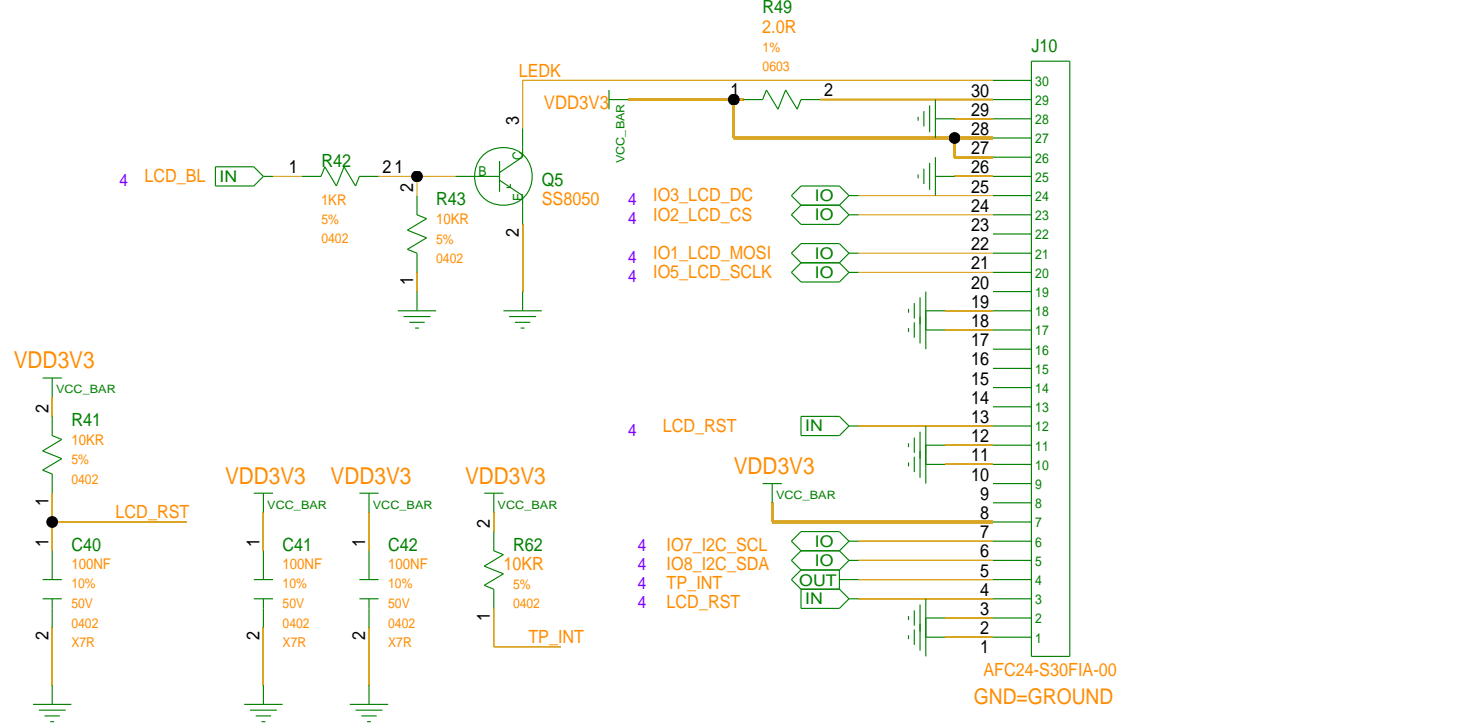


# DCDC

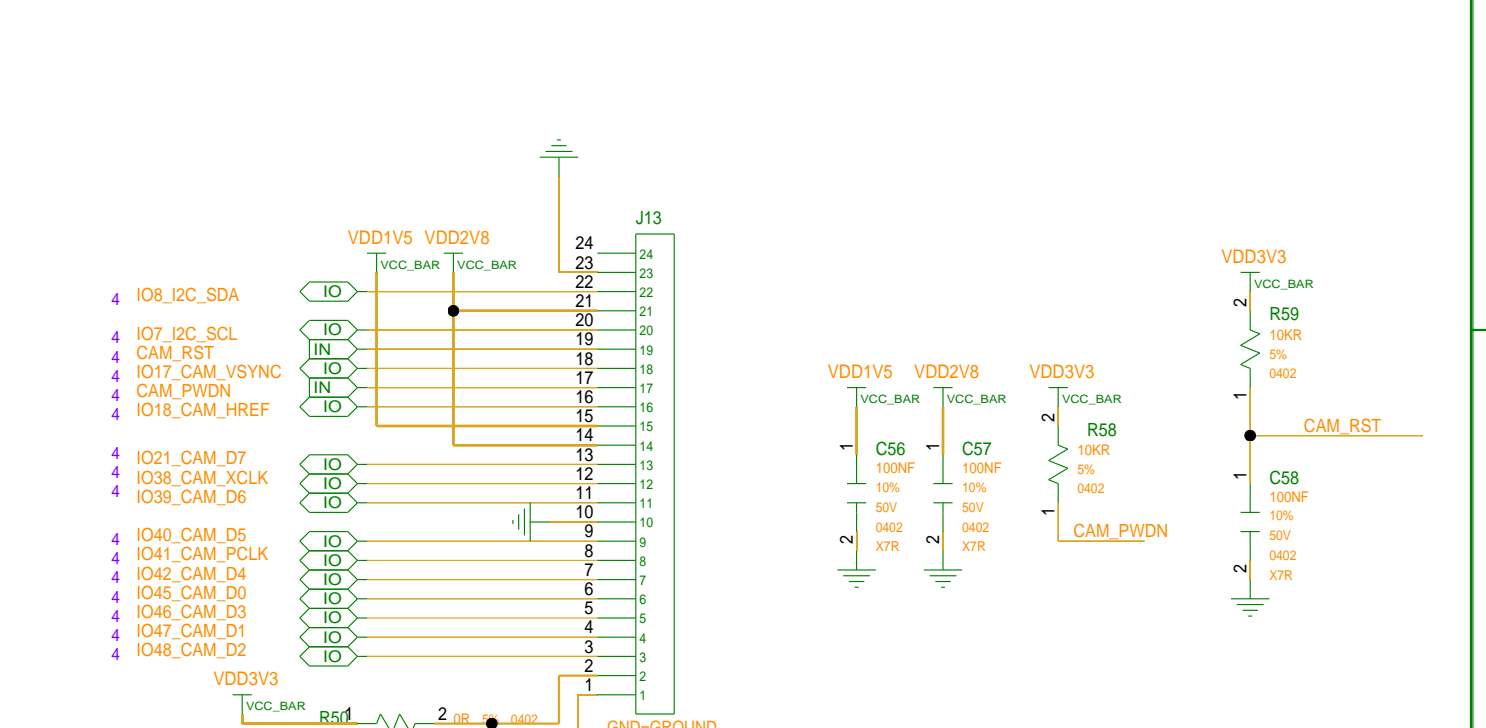


TITLE:	PAGE5	DATE:	2025-07-21
ENGINEER:	XINCHENG.LU	PAGE:	5 OF 6

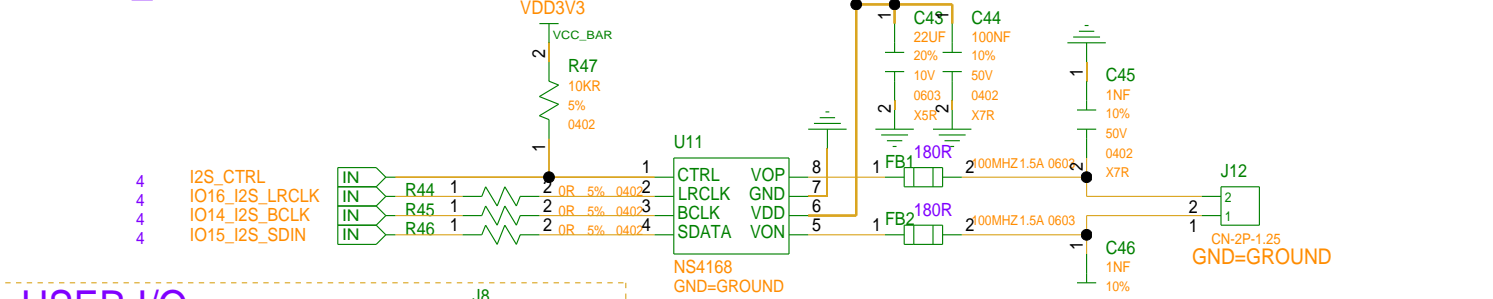
# LCD



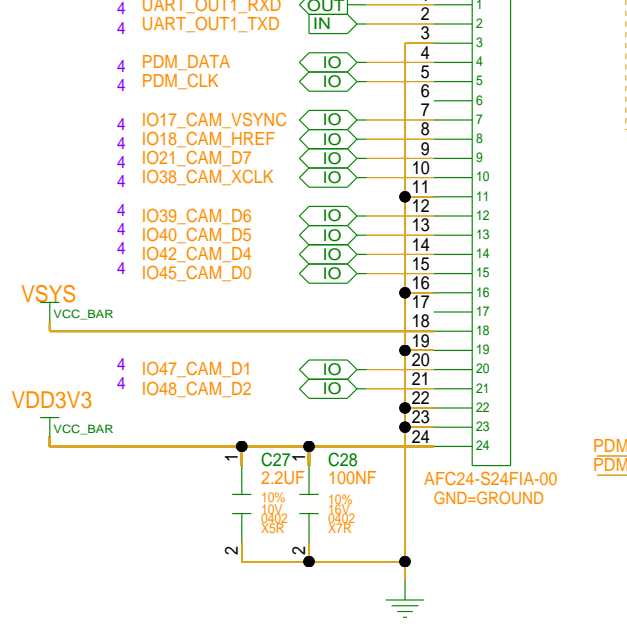
# CAMERA



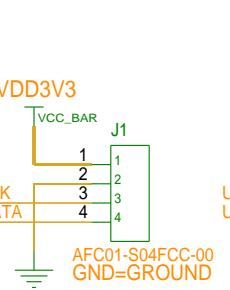
# AUDIO\_DAC



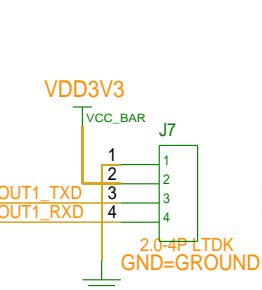
# USER I/O



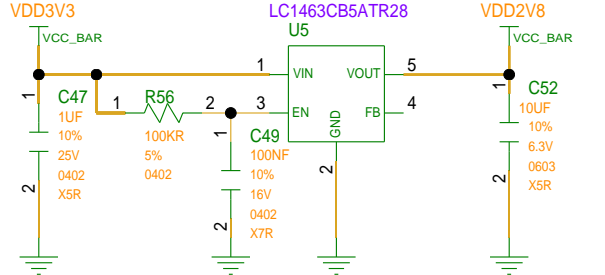
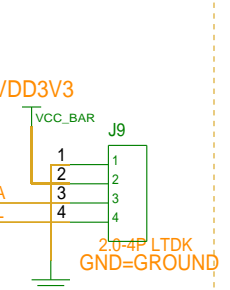
# MIC



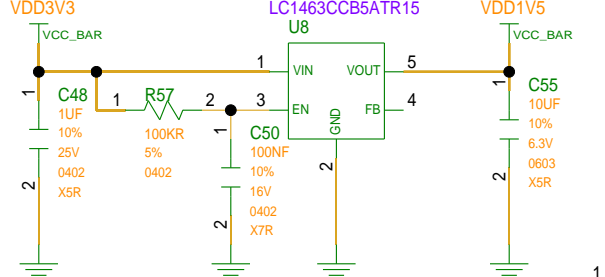
# UART OUT



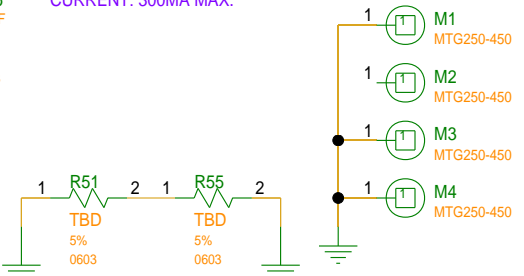
# IIC OUT



INPUT VOLTGE::8V MAX  
OUTPUT VOLTGE::2.8V  
CURRENT: 300MA MAX.



INPUT VOLTGE::8V MAX  
OUTPUT VOLTGE::1.5V  
CURRENT: 300MA MAX.



TITLE:	PAGE6	DATE:	2025-07-21
ENGINEER:	XINCHENG.LU	PAGE:	6 OF 6