

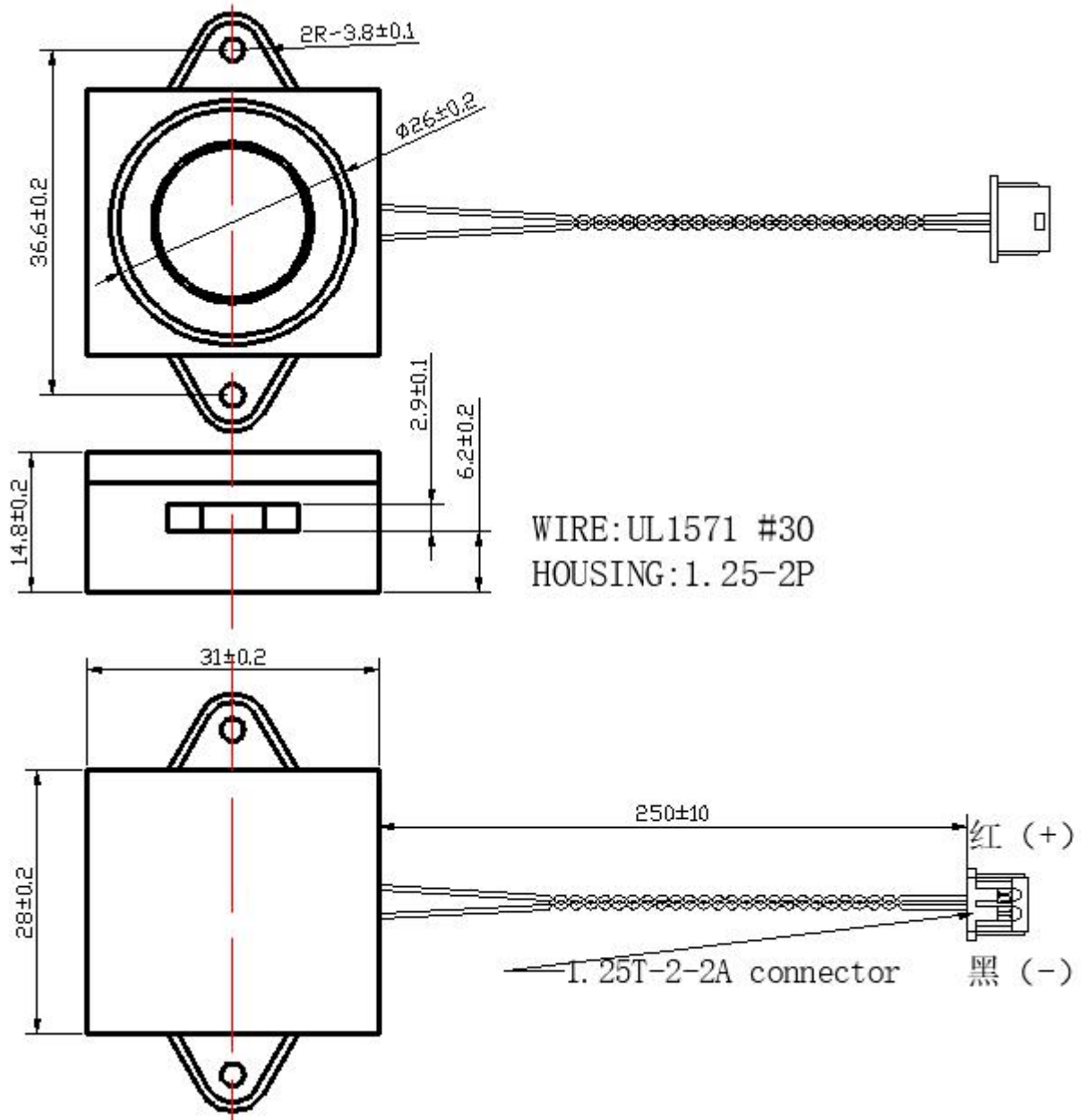
SPECIFICATIONS

4-3

TYPE NO.

Nextion BOX Speaker

4.DIMENSIONS (fig. 1)



C H A N G E S						
	NO.	DATE	BEFORE	AFTER	REASON OF CHANGE	SIGN.